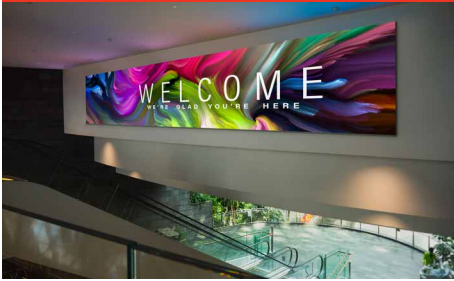


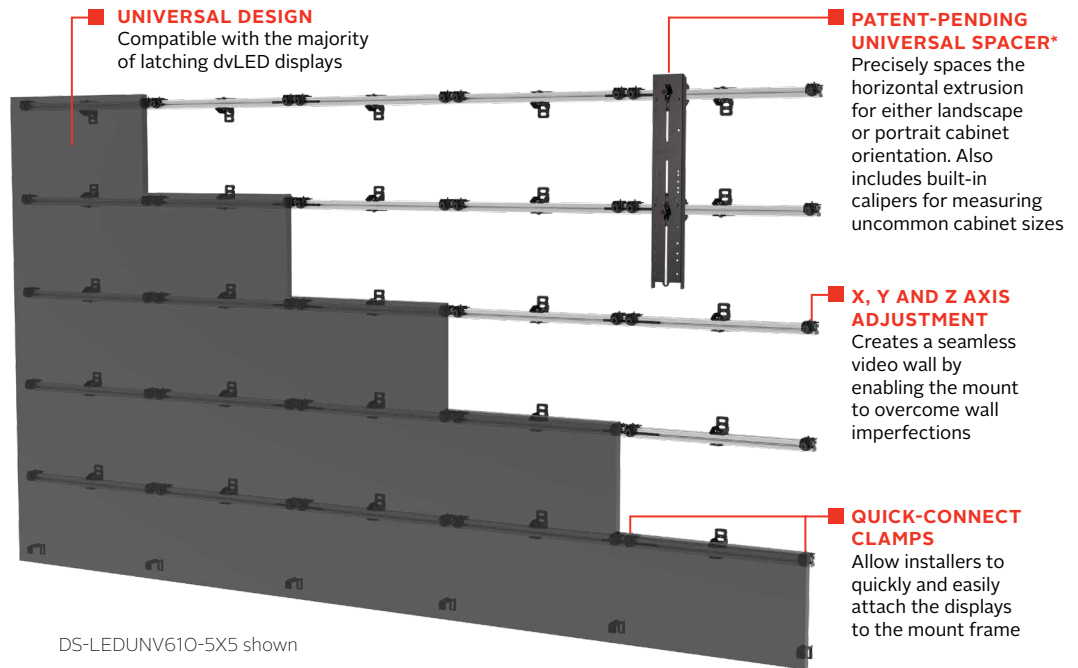
DS-LEDUNV Models



SEAMLESS KITTED UNIVERSAL dvLED Mounting System

The Peerless-AV® SEAMLESS Kitted Universal dvLED Mounting System features a slim and versatile design. This cost-effective, kitted solution is enabled by a patent-pending universal spacer that makes it adaptable for most latching dvLED displays. The display adaptors and mount frame provide X, Y and Z axis adjustments to overcome uneven walls and to ensure the video wall remains flat. The lightweight aluminum frame quickly mounts to the wall and the quick-connect clamps allow installers to easily secure the displays to the mount frame. Compact packaging reduces warehouse space and generally allows for parcel shipping, which lowers the overall delivery costs. Quickly and easily build the perfect dvLED video wall for a corporate lobby, retail display, sportsbook, concert hall, casino, and much more with Peerless-AV's SEAMLESS Kitted Universal dvLED Mounting System.

- Contact a Peerless-AV® Sales Representative for the current list of compatible latching dvLED display models
- 1:1 and preconfigured models ensure the right solution is available to meet your needs
- Condensed packaging reduces environmental impact, shipping costs, and warehouse space when storing
- Open architecture provides ease of cable management
- Optional Trim Kit Accessory is compatible with most displays (DS-LEDTK Models)



DS-LEDUNV610-5X5 shown

*Universal spacer (DS-LEDUNVSPACER) is included with the preconfigured models only, sold separately with the 1:1 models.



SEAMLESS by Peerless-AV® - dvLED Video Wall Integration Program offers:



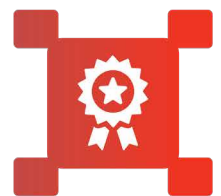
**EXPERT
ENGINEERING & DESIGN**



**CUSTOM
PROJECT MANAGERS**



**FULL INSTALLATION
SERVICES**



**SEAMLESS dvLED
MOUNTING SYSTEMS**

Model Numbers

WARRANTY: 5 Years

DS-LEDUNV Models SEAMLESS Kitted Universal dvLED Mounting System

Product Specifications

1:1 MODELS	DIMENSIONS (W x H x D)	PRODUCT WEIGHT	LOAD CAPACITY	FINISH	AVAILABLE COLORS
DS-LEDUNV610 DS-LEDUNV960 DS-LEDUNV1220	24" x 3.2" x 2.74"-3.49" (610 x 81 x 70-89mm) 37.8" x 3.2" x 2.74"-3.49" (960 x 81 x 70-89mm) 48" x 3.2" x 2.74"-3.49" (1220 x 81 x 70-89mm)	2.8lb (1.3kg) 3.2lb (1.5kg) 3.8lb (1.7kg)	52lb (23.6kg) per display	Powder Coat and Clear Anodized Finish	Black Brackets, Silver Extrusions
DS-LEDUNVSPACER	46.7" x 4.1" x 3.2" (1187 x 104 x 81mm)	14.4lb (6.5kg)	NA	Powder Coat	Black
PRECONFIGURED MODELS	<i>Product height is dependent on the display height.</i>				
DS-LEDUNV610-4x4 DS-LEDUNV610-5x5 DS-LEDUNV610-6x6 DS-LEDUNV610-8x8	96" x VARIES x 2.74"-3.49" (2,438 x VARIES x 70-89mm) 120" x VARIES x 2.74"-3.49" (3,048 x VARIES x 70-89mm) 144" x VARIES x 2.74"-3.49" (3,658 x VARIES x 70-89mm) 192" x VARIES x 2.74"-3.49" (4,877 x VARIES x 70-89mm)	33lb (15.1kg) 59lb (26.8kg) 75lb (34.0kg) 133lb (60.7kg)	52lb (23.6kg) per display	Powder Coat and Clear Anodized Finish	Black Brackets, Silver Extrusions
DS-LEDUNV960-3x3 DS-LEDUNV960-4x4 DS-LEDUNV960-5x5	113.4" x VARIES x 2.74"-3.49" (2,880 x VARIES x 70-89mm) 151.2" x VARIES x 2.74"-3.49" (3,840 x VARIES x 70-89mm) 189" x VARIES x 2.74"-3.49" (4,800 x VARIES x 70-89mm)	31lb (14.1kg) 55lb (24.8kg) 72lb (32.8kg)			
DS-LEDUNV1220-2x2 DS-LEDUNV1220-3x3 DS-LEDUNV1220-4x4	96" x VARIES x 2.74"-3.49" (2,438 x VARIES x 70-89mm) 144" x VARIES x 2.74"-3.49" (3,658 x VARIES x 70-89mm) 192" x VARIES x 2.74"-3.49" (4,877 x VARIES x 70-89mm)	14lb (6.3kg) 31lb (14.2kg) 55lb (24.8kg)			

Package Specifications

1:1 MODELS	PACKAGE SIZE (W x H x D)	PACKAGE SHIP WEIGHT	PACKAGE UPC CODE	PACKAGE CONTENTS	UNITS IN PACKAGE
DS-LEDUNV610 DS-LEDUNV960 DS-LEDUNV1220	25.3" x 4.5" x 3.1" (641 x 114 x 79mm) 38.6" x 4.4" x 4.4" (981 x 111 x 111mm) 48.6" x 4.4" x 4.4" (1235 x 111 x 111mm)	3.5lb (1.6kg) 4.0lb (1.8kg) 5lb (6.9kg)	735029355779 735029355823 735029355731	Wall Plate, Extrusion, Connector Plate, Quick-Connect Adaptor Clamps, Standoff and Mounting Hardware	1
DS-LEDUNVSPACER	28.3" x 5" x 4.3" (718 x 127 x 108mm)	15.3lb (6.9kg)	735029355724	Universal Spacer, Shims and Wrench	
PRECONFIGURED MODELS	<i>*Universal spacer (DS-LEDUNVSPACER) is included with the preconfigured models only, sold separately with the 1:1 models.</i>				
DS-LEDUNV610-4x4 DS-LEDUNV610-5x5 DS-LEDUNV610-6x6 DS-LEDUNV610-8x8	49.5" x 14.3" x 9.0" (1257 x 362 x 229mm) 49.5" x 14.3" x 9.0" (1257 x 362 x 229mm) 49.5" x 14.3" x 9.0" (1257 x 362 x 229mm) 49.5" x 14.3" x 13.0" (1257 x 362 x 330mm)	56lb (25.6kg) 83lb (37.8kg) 100lb (45.6kg) 165lb (74.8kg)	735029355786 735029355793 735029355809 735029355816	Universal Spacer, Wall Plate, Extrusion, Connector Plate, Quick-Connect Adaptor Clamps, Standoff and Mounting Hardware	1
DS-LEDUNV960-3x3 DS-LEDUNV960-4x4 DS-LEDUNV960-5x5	49.5" x 14.3" x 9.0" (1257 x 362 x 229mm) 49.5" x 14.3" x 9.0" (1257 x 362 x 229mm) 49.5" x 14.3" x 9.0" (1257 x 362 x 229mm)	54lb (24.5kg) 78lb (35.3kg) 96lb (43.8kg)	735029355830 735029355847 735029355854		
DS-LEDUNV1220-2x2 DS-LEDUNV1220-3x3 DS-LEDUNV1220-4x4	49.5" x 14.3" x 9.0" (1257 x 362 x 229mm) 49.5" x 14.3" x 9.0" (1257 x 362 x 229mm) 49.5" x 14.3" x 9.0" (1257 x 362 x 229mm)	36lb (16.2kg) 54lb (24.6kg) 78lb (35.3kg)	735029356059 735029356066 735029356073		

Accessories

DS-LEDTK Models: Universal Trim Kit for dvLED Video Walls 3.9" to 6.3" (99-160mm) Deep

Components:

All dimensions = inch (mm)

ALUMINUM EXTRUSION CUT TO LENGTH BY INSTALLER



WALL PLATE



ADAPTOR

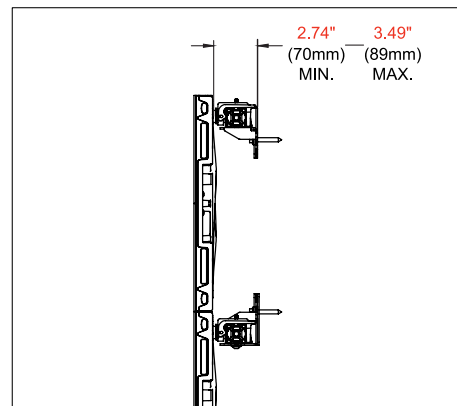


STANDOFF



PATENT-PENDING UNIVERSAL SPACER

Included with preconfigured models only,
sold separately with 1:1 models



SIDE VIEW WITH dvLED DISPLAY

Architect Specifications

The SEAMLESS Kitted Universal dvLED Mounting System shall be a Peerless-AV DS-LEDUNV and shall be located where indicated on the plans. Assembly and installation shall be done according to instructions provided by the manufacturer.

Visit peerless-av.com to see the complete line of AV solutions from Peerless-AV, including outdoor displays, kiosks, display mounts, projector mounts, carts/stands, and a full assortment of accessories.

Peerless-AV
2300 White Oak Circle
Aurora, IL 60502
USA
(800) 865-2112
(630) 375-5100

Peerless-AV EMEA
Unit 2 Curo Park
Frogmore, St. Albans
Hertfordshire, AL2 2DD
United Kingdom
+44 (0) 1923 200 100

Peerless-AV B.V.
Papendorpseweg 75
3528 BJ Utrecht
The Netherlands
+31 (0) 70 770 8037

Peerless-AV Latin America
Av. de las Industrias 413
Parque Industrial Escobedo
General Escobedo, N.L.,
México, 66062
+52 (81) 8384-8300

